

CONSTRUCTION ELECTRICIAN

Occupation Description

“Construction Electrician” means a person who installs, constructs, alters, repairs, maintains, commissions, tests, services, calibrates and operates related electrical and electronic systems in any premise, place, building or structure.

For detailed information on the scope of knowledge and skills taught and assessed in this program refer to the Program Outline, available on the ITA website.

Pathways to Certification

In BC, an individual can become certified as a Construction Electrician by completing the Construction Electrician program or by challenging the certification. Apprenticeship programs are for individuals who have an employer to sponsor them and challenge programs are for individuals who have extensive experience working in the occupation and wish to challenge the certification.

Youth can begin apprenticeship in high school through either the Secondary School Apprenticeship (SSA) program or the ACE IT program. The SSA program is available for any trade if an employer is willing to sponsor the student. Trades offered through ACE IT vary by region; contact your local school district to find out which technical training programs are being offered through ACE IT in your region.

Foundation programs, where available, provide adults and youth who do not have work experience or employer sponsorship with an opportunity to gain the knowledge and skills needed to enter the occupation. Individuals who wish to enroll in a Foundation program must register directly with the training provider.

Recommended Education

The following education is **recommended** for apprentices entering this occupation. These are not prerequisites, but rather a desired level of skill or knowledge that will contribute to success in the industry.

- Recent Grade 12 graduate (within the past 5 years) with demonstrated mechanical aptitude, Principles of Mathematics 11, Physics 11 and English 12 or Communications 12
- or
- Successful completion of an electrical industry assessment examination which includes items relevant to technical and mechanical aptitude, Principles of Mathematics 11 equivalencies, Physics 11 equivalencies, and English 12 or Communications 12 equivalencies
- or
- Recent Electrical Foundation Program Graduate (ELTT within the past 5 years) of an ITA approved program.

Industry strongly recommends that apprentices considering attending Level 1 Construction Electrician technical training have at least one year of work-based training as an electrical apprentice before beginning their in-school technical training.



ITA Registration

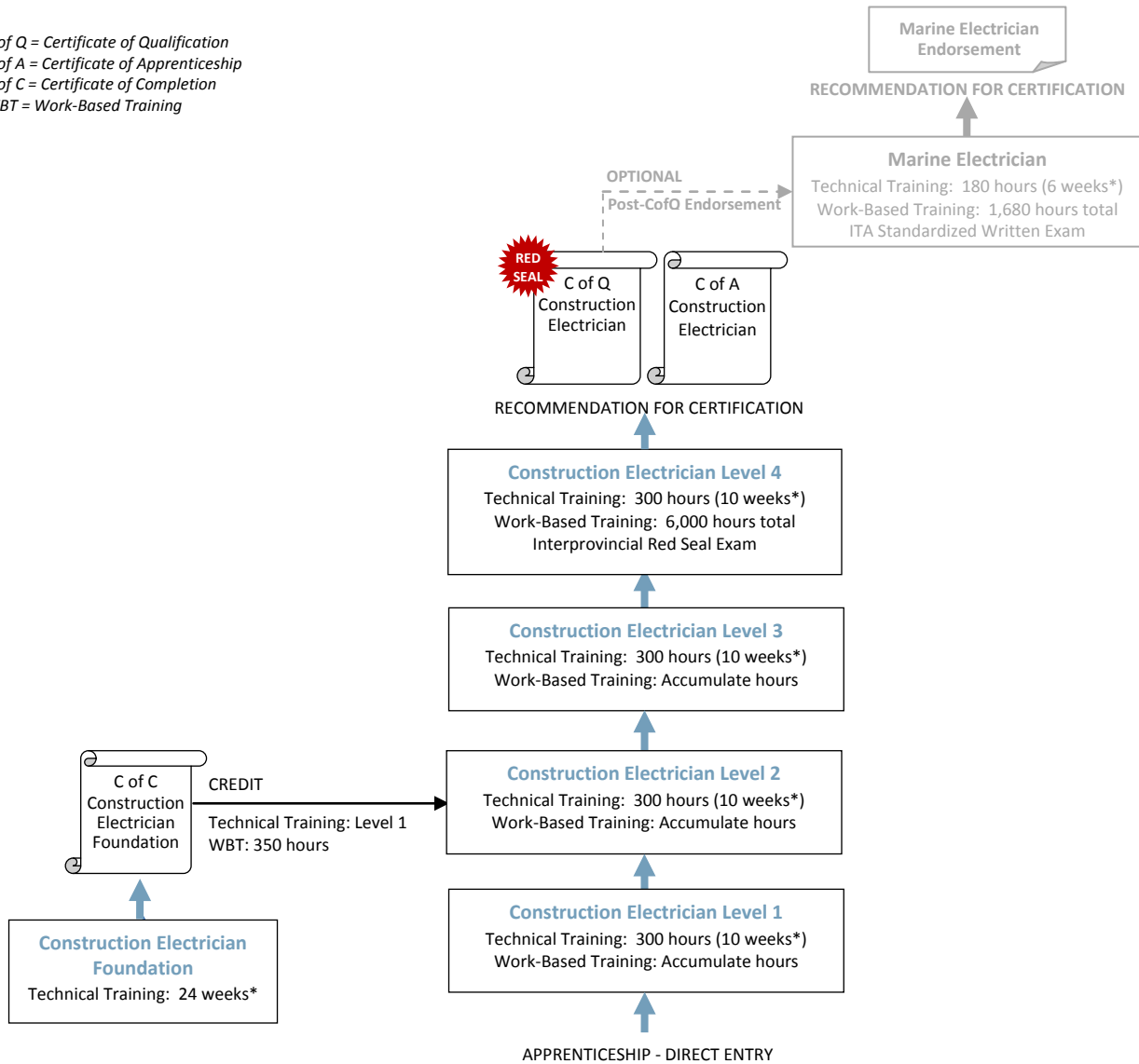
Individuals who wish to begin an apprenticeship in this program must register with ITA along with their sponsor. Application forms for all programs are available from the ITA website. Online registration is also available for most programs through the ITA website.

Those who wish to challenge the Construction Electrician certification must complete the Construction Electrician Challenge Application and submit it to ITA. Challenge applications are assessed for proof of workplace hours and scope of experience prior to acceptance of the individual into the Challenge pathway.

Apprenticeship Pathway with Optional Endorsement

This graphic provides an overview of the Construction Electrician apprenticeship pathway.

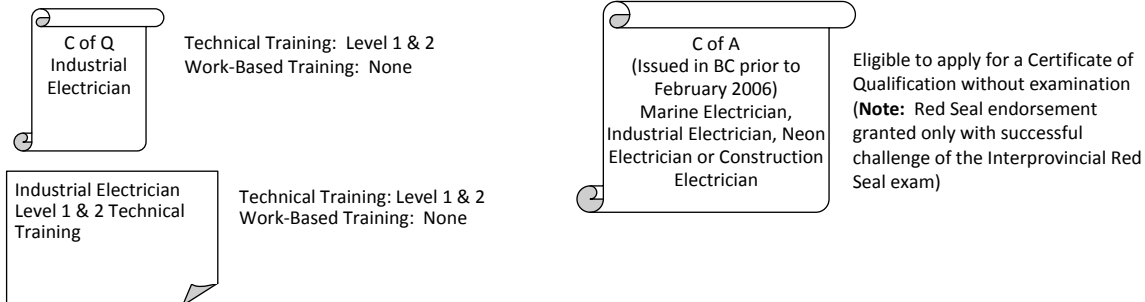
*C of Q = Certificate of Qualification
C of A = Certificate of Apprenticeship
C of C = Certificate of Completion
WBT = Work-Based Training*



**Suggested duration based on 30-hour week*

CROSS-PROGRAM CREDITS

Individuals who hold the credentials listed below are entitled to receive partial credit toward the completion requirements of this program





Apprenticeship Program Standards

Credentials Awarded	<ul style="list-style-type: none"> ▪ Construction Electrician – Certificate of Qualification with Interprovincial Red Seal endorsement ▪ Construction Electrician – Certificate of Apprenticeship 										
ITA Registration Prerequisites	<ul style="list-style-type: none"> ▪ Agreement signed by the employer to sponsor the apprentice 										
Completion Requirements	<p>Certification as a Construction Electrician is awarded upon successful completion of:</p> <table style="width: 100%; border-collapse: collapse;"> <thead> <tr> <th style="text-align: left; width: 50%;">Requirement</th> <th style="text-align: left; width: 50%;">Level of Achievement Required</th> </tr> </thead> <tbody> <tr> <td>Technical Training</td> <td> Minimum 70% in each level of technical training: <ul style="list-style-type: none"> ▪ Level 1: 300 hours (or 10 weeks*) ▪ Level 2: 300 hours (or 10 weeks*) ▪ Level 3: 300 hours (or 10 weeks*) ▪ Level 4: 300 hours (or 10 weeks*) </td> </tr> <tr> <td>Interprovincial Red Seal Exam</td> <td> <ul style="list-style-type: none"> ▪ Minimum 70% </td> </tr> <tr> <td>Work-Based Training</td> <td> <ul style="list-style-type: none"> ▪ 6,000 hours </td> </tr> <tr> <td>Recommendation for Certification</td> <td> <ul style="list-style-type: none"> ▪ Recommendation for certification signed by the Sponsor and an individual holding credentials eligible for sign-off authority </td> </tr> </tbody> </table> <p style="text-align: center;"><i>(*Assuming 30 hours in school per week)</i></p>	Requirement	Level of Achievement Required	Technical Training	Minimum 70% in each level of technical training: <ul style="list-style-type: none"> ▪ Level 1: 300 hours (or 10 weeks*) ▪ Level 2: 300 hours (or 10 weeks*) ▪ Level 3: 300 hours (or 10 weeks*) ▪ Level 4: 300 hours (or 10 weeks*) 	Interprovincial Red Seal Exam	<ul style="list-style-type: none"> ▪ Minimum 70% 	Work-Based Training	<ul style="list-style-type: none"> ▪ 6,000 hours 	Recommendation for Certification	<ul style="list-style-type: none"> ▪ Recommendation for certification signed by the Sponsor and an individual holding credentials eligible for sign-off authority
Requirement	Level of Achievement Required										
Technical Training	Minimum 70% in each level of technical training: <ul style="list-style-type: none"> ▪ Level 1: 300 hours (or 10 weeks*) ▪ Level 2: 300 hours (or 10 weeks*) ▪ Level 3: 300 hours (or 10 weeks*) ▪ Level 4: 300 hours (or 10 weeks*) 										
Interprovincial Red Seal Exam	<ul style="list-style-type: none"> ▪ Minimum 70% 										
Work-Based Training	<ul style="list-style-type: none"> ▪ 6,000 hours 										
Recommendation for Certification	<ul style="list-style-type: none"> ▪ Recommendation for certification signed by the Sponsor and an individual holding credentials eligible for sign-off authority 										
Program Duration	<p>Duration varies depending on how training is delivered, but the program generally takes 4 years to complete.</p> <p>The technical training requirement is typically met through block-release training (full-time, at school) delivered by an ITA-approved training provider. It can also be met through approved alternative training models (e.g., distance education, online, part-time) and/or level challenge where these options are available.</p>										
Sign-off Authority	<p>Credentials eligible to sign-off on the Recommendation for Certification:</p> <ul style="list-style-type: none"> ▪ Construction Electrician – Certificate of Qualification with Red Seal Endorsement ▪ Construction Electrician – Certificate of Qualification ▪ BC Safety Authority Class A Field Safety Representative (FSR) ▪ BC Safety Authority Class B Field Safety Representative (FSR) 										
Challenging a Level	<p>The following levels of technical training can be challenged for advanced placement in this program:</p> <ul style="list-style-type: none"> ▪ None 										



Apprenticeship Program Standards

Cross-Program Credits

Individuals who hold the credentials listed below are entitled to receive partial credit toward the completion requirements of this program

Credential	Credit(s) Granted
Industrial Electrician – Certificate of Qualification	<ul style="list-style-type: none"> ▪ Technical Training: Level 1 and 2 ▪ Work-Based Training: None
Industrial Electrician – Level 1 & 2 Technical Training	<ul style="list-style-type: none"> ▪ Technical Training: Level 1 and 2 ▪ Work-based Training: None
C of A (Issued in BC prior to February 2006) in any of the following: <ul style="list-style-type: none"> ▪ Marine Electrician ▪ Industrial Electrician ▪ Neon Electrician ▪ Construction Electrician 	<ul style="list-style-type: none"> ▪ Eligible to apply for a Certificate of Qualification without examination (Note: Red Seal endorsement granted only with successful challenge of the Interprovincial Red Seal exam)



Marine Electrician Endorsement Program

Refer to the Apprenticeship pathway credentialing model for this program to see how the Marine Electrician Endorsement program fits into the apprenticeship pathway for this occupation.

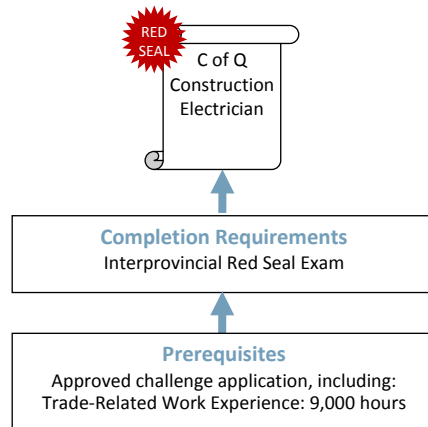
Marine Electrician Endorsement Program Standards

Credentials Awarded	<ul style="list-style-type: none"> ▪ Marine Electrician Endorsement 										
ITA Registration Prerequisites	<ul style="list-style-type: none"> ▪ Agreement signed by the employer to sponsor the apprentice ▪ Red Seal certification in a qualifying trade: <ul style="list-style-type: none"> ○ Construction Electrician OR ○ Industrial Electrician 										
Completion Requirements	<p>Certification as a Marine Electrician is awarded upon successful completion of:</p> <table style="width: 100%; border-collapse: collapse;"> <thead> <tr> <th style="text-align: left; border-bottom: 1px solid black;">Requirement</th> <th style="text-align: left; border-bottom: 1px solid black;">Level of Achievement Required</th> </tr> </thead> <tbody> <tr> <td>Technical Training</td> <td> Minimum 70% in each level of technical training: <ul style="list-style-type: none"> ▪ Level 1: 180 hours (or 6 weeks*) </td> </tr> <tr> <td>ITA Standardized Written Exam</td> <td> <ul style="list-style-type: none"> ▪ Minimum 70% </td> </tr> <tr> <td>Work-Based Training</td> <td> <ul style="list-style-type: none"> ▪ 1,680 hours </td> </tr> <tr> <td>Recommendation for Certification</td> <td> <ul style="list-style-type: none"> ▪ Recommendation for certification signed by the Sponsor and an individual holding credentials eligible for sign-off authority </td> </tr> </tbody> </table> <p style="text-align: center;"><i>(*Assuming 30 hours in school per week)</i></p>	Requirement	Level of Achievement Required	Technical Training	Minimum 70% in each level of technical training: <ul style="list-style-type: none"> ▪ Level 1: 180 hours (or 6 weeks*) 	ITA Standardized Written Exam	<ul style="list-style-type: none"> ▪ Minimum 70% 	Work-Based Training	<ul style="list-style-type: none"> ▪ 1,680 hours 	Recommendation for Certification	<ul style="list-style-type: none"> ▪ Recommendation for certification signed by the Sponsor and an individual holding credentials eligible for sign-off authority
Requirement	Level of Achievement Required										
Technical Training	Minimum 70% in each level of technical training: <ul style="list-style-type: none"> ▪ Level 1: 180 hours (or 6 weeks*) 										
ITA Standardized Written Exam	<ul style="list-style-type: none"> ▪ Minimum 70% 										
Work-Based Training	<ul style="list-style-type: none"> ▪ 1,680 hours 										
Recommendation for Certification	<ul style="list-style-type: none"> ▪ Recommendation for certification signed by the Sponsor and an individual holding credentials eligible for sign-off authority 										
Program Duration	<p>Duration varies depending on how training is delivered, but the program generally takes 1 year to complete.</p> <p>The technical training requirement is typically met through block-release training (full-time, at school) delivered by an ITA-approved training provider. It can also be met through approved alternative training models (e.g., distance education, online, part-time) and/or level challenge where these options are available.</p>										
Sign-off Authority	<p>Credentials eligible to sign-off on the Recommendation for Certification:</p> <ul style="list-style-type: none"> ▪ Construction Electrician – Certificate of Qualification with Red Seal endorsement ▪ Industrial Electrician – Certificate of Qualification with Red Seal endorsement ▪ Marine Electrician Endorsement holders 										
Challenging a Level	<p>The following levels of technical training can be challenged for advanced placement in this program</p> <ul style="list-style-type: none"> ▪ None 										
Cross-Program Credits	<p>Individuals who hold the credentials listed below are entitled to receive partial credit toward the completion requirements of this program</p> <ul style="list-style-type: none"> ▪ None 										

Challenge Pathway

This graphic provides an overview of the Construction Electrician challenge pathway.

C of Q = Certificate of Qualification



CREDIT FOR PRIOR LEARNING

Individuals who hold the credentials listed below are entitled to receive partial credit toward the completion requirements of this program

Military certificate in Electrical Distribution Technician MT #302 / MT #642, QL5 or higher

Work Experience: 3,000 hours



Challenge Program Standards

Credentials Awarded Construction Electrician – Certificate of Qualification with Interprovincial Red Seal endorsement

ITA Registration Prerequisites An approved Challenge Application, which includes:

- 9,000 documented hours of directly related experience working in the occupation

Credit for Prior Learning Individuals who hold the credentials listed below are considered to have met, or partially met, the prerequisites for challenging this program:

Credential	Credit(s) Granted
Military certificate in Electrical Distribution Technician MT #302 / MT #642, QL5 or higher	▪ Work Experience: 3,000 hours

Completion Requirements Certification as a Construction Electrician is awarded upon successful completion of:

Requirement	Level of Achievement Required
Interprovincial Red Seal Exam	▪ Minimum 70%



Foundation Program

Refer to the Apprenticeship pathway credentialing model for this program to see how the Construction Electrician Foundation program leads to apprenticeship in this trade.

Foundation Program Standards

Credentials Awarded	Construction Electrician – Certificate of Completion				
Enrollment Prerequisites	Contact training provider. Prerequisites vary between training institutions				
Completion Requirements	A Certificate of Completion in this program is awarded upon successful completion of: <table style="width: 100%; margin-top: 10px;"> <thead> <tr> <th style="width: 50%;">Requirement</th> <th style="width: 50%;">Level of Achievement Required</th> </tr> </thead> <tbody> <tr> <td>Technical Training</td> <td> <ul style="list-style-type: none"> ▪ Minimum 70% </td> </tr> </tbody> </table>	Requirement	Level of Achievement Required	Technical Training	<ul style="list-style-type: none"> ▪ Minimum 70%
Requirement	Level of Achievement Required				
Technical Training	<ul style="list-style-type: none"> ▪ Minimum 70% 				
Program Duration	Duration varies depending on how training is delivered, but program generally takes 24 weeks to complete, assuming 30 hours in school per week				
Credit toward Apprenticeship	Individuals who complete the Construction Electrician Foundation program will receive the following credit toward completion of the Construction Electrician apprenticeship program: <ul style="list-style-type: none"> ▪ Technical Training: Level 1 ▪ Work-based Training: 350 hours 				



Supporting Documents

Construction Electrician Program Outline (2011) – Defines the full scope of knowledge and skills required to competently perform the occupation in BC. Available from the ITA website.

Construction Electrician National Occupational Analysis (2011) – Prepared by industry experts, under the guidance of the federal government, for Red Seal trades to define the national standard of competence for the trade. Available from the Red Seal website: www.red-seal.ca.

Contacts

The Industry Training Authority (ITA) manages B.C.'s industry training and apprenticeship programs. Contact ITA Customer service if you have any questions regarding registration, examinations or certification for this program.

Telephone: 778-328-8700
Toll Free (within BC): 1-866-660-6011
Website: www.itabc.ca

Fax: 778-328-8701
Email: customerservice@itabc.ca

Revision History

The standards for this program were reviewed and/or updated on the dates below.

Program Standards Approved: March 2002 (ITAC)
Updated: April 2006 (ITA)
Updated: March 2011 (ITA)
Updated: November 2016 (ITA)

Program Profiles are updated regularly. Visit www.itabc.ca for the most current version.