

# Bricklayer

Level 2

PRACTICAL ASSESSMENT  
INFORMATION PACKAGE



This is an information package regarding the British Columbia Bricklayer Practical Assessment. This assessment is designed to test the scope of the practical knowledge and skills of the trade.

This standard practical exam was developed and validated by a technical subcommittee of the Masonry Industry Training Association, an Industry Society composed of eight directors appointed by Industry, the Canadian Masonry Contractors' Association (4 directors) whom represent open shop contractors and employees, The Masonry Contractors Association of BC (2 Directors), whom represent Union Masonry Contractors, and the International Union of Bricklayers and Allied Craftworkers Local #2 BC (2 Directors), whom represent union masonry craftworkers.

**Copyright © 2022 Industry Training Authority**

This publication may not be modified in any way without permission of the Industry Training Authority



## **TABLE OF CONTENTS**

Section 1 – Bricklayer Practical Assessment Information.....	3
Section 2 – Bricklayer Practical Assessment Project.....	4
Section 3 – Materials and Equipment .....	6
Section 4 – Level 2 Project - Score Sheet .....	7



## **Section 1 – Bricklayer Practical Assessment Information**

The following pages contain basic information about the practical assessment tasks for the Bricklayer program.

Carefully review the assessment information. You will have 3 hours to complete this practical assessment.

Once you have registered for a practical assessment venue, you will be given details and other applicable information will be provided by the assessment agency to help you prepare ahead of the exam.

Please contact Trowel Trades Training Association for any questions or to book a Bricklayer Practical Assessment.

**Trowel Trades Training Association contact:**

604-580-2463

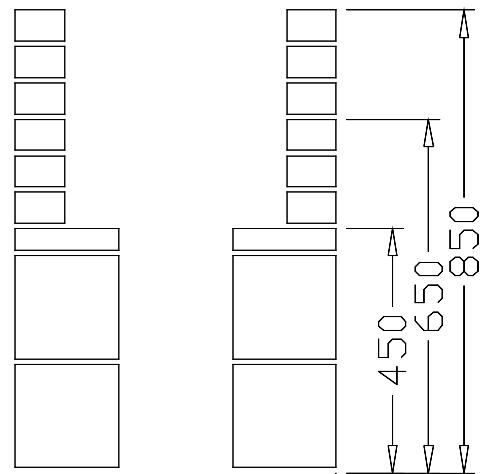
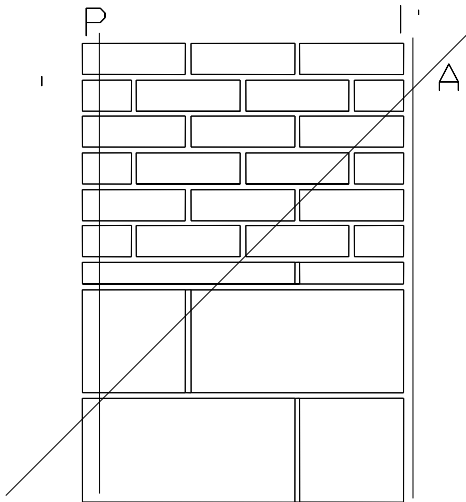
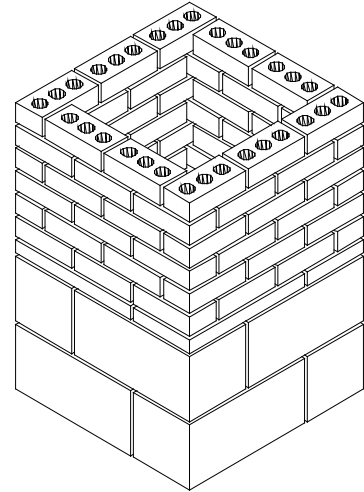
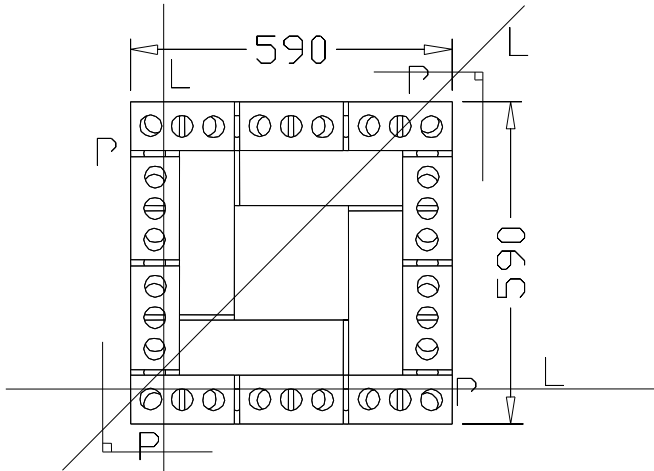
1-844-480-2463 (Toll free)



## Section 2 – Bricklayer Practical Assessment Project

### Project Notes:

- Block gauge – 1 course of block in 200mm
- Brick gauge – 3 courses of brick in 200mm
- All joints to outside of the project are to be concave tooled (tooled, brushed, and re-tooled)
- Cleanliness is not scored but strongly recommended. Minimize mortar droppings!



**Marking:**

- Station set-up is not timed – all materials and equipment are readied prior to the timed test.
- Clock starts as soon as the student begins to lay-out the project.
- No time extensions will be allowed.
- At completion of test, determine **with the student** which corner of the project will be the “benchmark” where project height will be measured. Determine the “benchmark” before taking any official measurements. Indicate the “benchmark” on the score sheet.
- Using the student’s tools (level, square, and tape) and the measuring gauge, take one reading for each measurement at its worst possible location. Record actual measurement. Report the number of millimetres out of specification (beyond acceptable range) on the score sheet. One point is deducted per millimetre out of specification up to the maximum deduction.
- To evaluate consistency of mortar joints, the maximum and minimum thicknesses for both head and bed joints are measured, and the differences recorded.
- No score can be given for an incomplete project.
- Subtract the total deductions from 100 to determine the score.
- The student needs a score of 70 or more to pass.



## Section 3 – Materials and Equipment

### Materials

8 20cm double-ender concrete blocks (190×190×390mm)	60 metric modular bricks (90×57×190mm)
4 concrete slabs (190×50×390mm)	5 20L pails of pre-mixed lime mortar (proportions: 3 parts fine, washed, masonry sand to 1 part type S hydrated lime)

### Equipment

Mortar board	Mortar stand
Adequate lighting	

### Tools

Brick Trowel	Gauge Tape
4' Level (1.2m)	Jointer
24"×16" Square (600×400mm)	Brush
Measuring Tape	Pencil

### Personal equipment

Safety shoes

### Marking tool

Marking gauge graduated in millimetres (1mm to at least 15mm in 1mm increments)



Gauge pole or tape graduated every 66.6mm



## Section 4 – Level 2 Project - Score Sheet

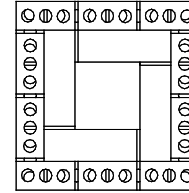
**Date:** \_\_\_\_\_

**Student:** \_\_\_\_\_

**Assessor:** \_\_\_\_\_

**Benchmark:**  
(mark on drawing - either right or left corner)

**Time to complete:** \_\_\_\_\_  
(maximum 3 hours)



All measurements are in mm.

Actual measurement	Deviation	Tolerance	mm beyond tolerance	Maximum deduction	Deduction (1 pt per mm beyond tolerance up to max)
--------------------	-----------	-----------	---------------------	-------------------	--

<b>Dimensions &amp; Gauge</b>	Length right of benchmark (at first block course) - <b>590mm</b>		1		5	
	Length left of benchmark (at first block course) - <b>590mm</b>		1		5	
	Overall height (at benchmark) - <b>850mm</b>		1		10	
	Top of 3rd brick course (at benchmark) - <b>650mm</b>		1		5	
	Top of slab height (at benchmark) - <b>450mm</b>		1		5	

<b>Jointing</b>	Block Head full & concave tooled - Yes / No				1	
	Block Bed full & concave tooled - Yes / No				1	
	Brick Head full & concave tooled - Yes / No				1	
	Brick Bed full & concave tooled - Yes / No				2	
	Bed joints: Max-Min (brick & block but not including base joint)	Min: Max:		6		5
Head joints: Max-Min (brick only)	Min: Max:		6		5	

<b>Level</b> (mm off level)	Top diagonal through benchmark		1		5	
	Top left through benchmark		1		5	
	Top right through benchmark		1		5	

<b>Plumb &amp; vertical alignment</b>	1st corner		1		5	
	2nd corner		1		5	
	3rd corner		1		5	
	4th corner		1		5	

<b>Alignment</b> (mm out of alignment)	Diagonal right side from benchmark		1		5	
	Diagonal left side from benchmark		1		5	

<b>Square</b> (measured at 6 <sup>th</sup> brick course)	Corner at benchmark		1		5	
	Opposite corner from benchmark		1		5	

Max points 100      Total deductions \_\_\_\_\_

**Signatures:**  
  
**Assessor:** \_\_\_\_\_

**Score:** \_\_\_\_\_  
Score = 100 - Deductions  
70 minimum to pass